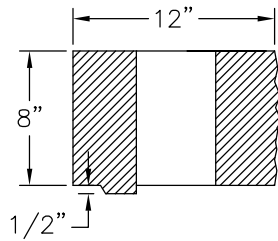
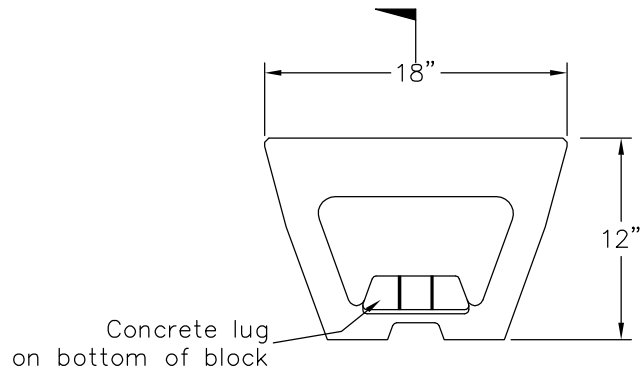


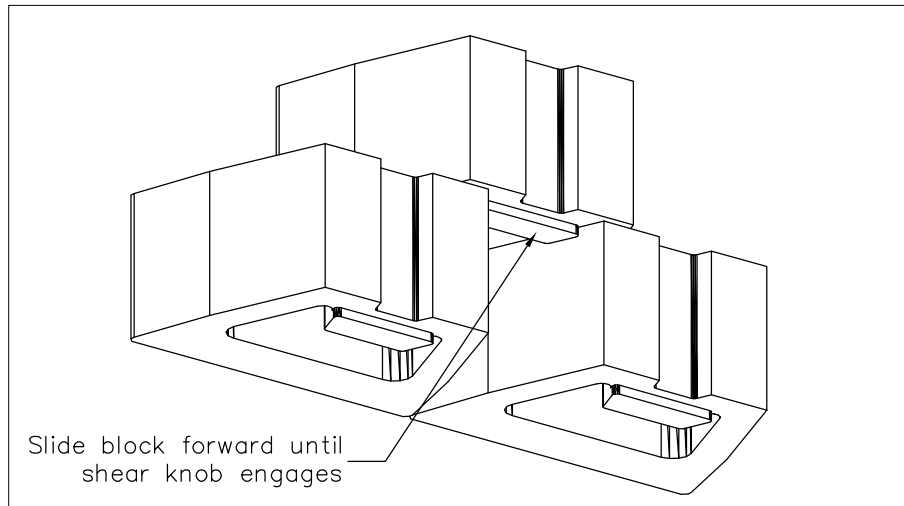
GEOGRID PLACEMENT



SECTION



PLAN



PERSPECTIVE VIEW FROM BOTTOM



RidgeRock
Retaining Walls Inc.
P.O. Box 241233
Charlotte, NC 28224
704-504-3358
Fax: 504-3038

STRAIGHT FACE BLOCK DETAILS

RIDGEROCK DETAILS

1 of 1
SHEET NO. 12/4/07
DATE