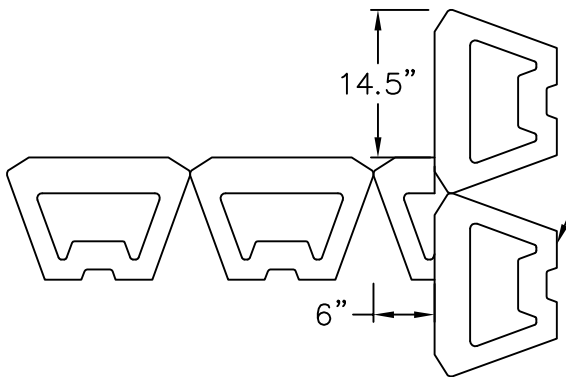
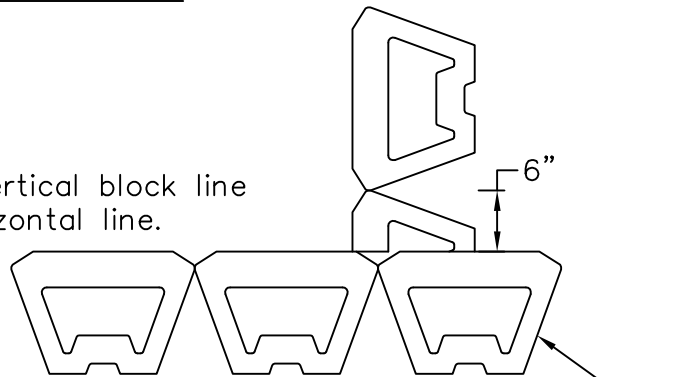


COMPOSITE DETAIL



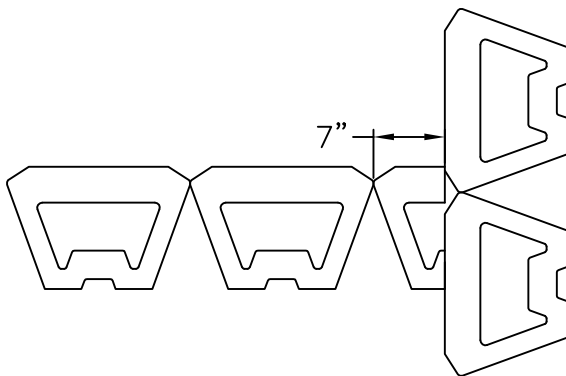
BASE COURSE

Extend vertical block line past horizontal line.



Extend horizontal line past vertical line

SECOND COURSE



THIRD COURSE

NOTE: After the third course continue construction. Alternate extending each block line past the perpendicular block line to provide firm bearing for next course. Continue to cut alternating courses to butt into perpendicular block line until reaching top of wall. Each cut will require an additional 1/2" to accommodate block setback. For level block placement remove the setback lug on blocks that extend past the perpendicular block line.



RidgeRock  
Retaining Walls Inc.  
P.O. Box 241233  
Charlotte, NC 28224  
704-504-3358  
Fax: 504-3038

**INSIDE CORNER DETAIL**

**RIDGEROCK DETAIL**

1 of 1  
SHEET NO.

10/6/08  
DATE