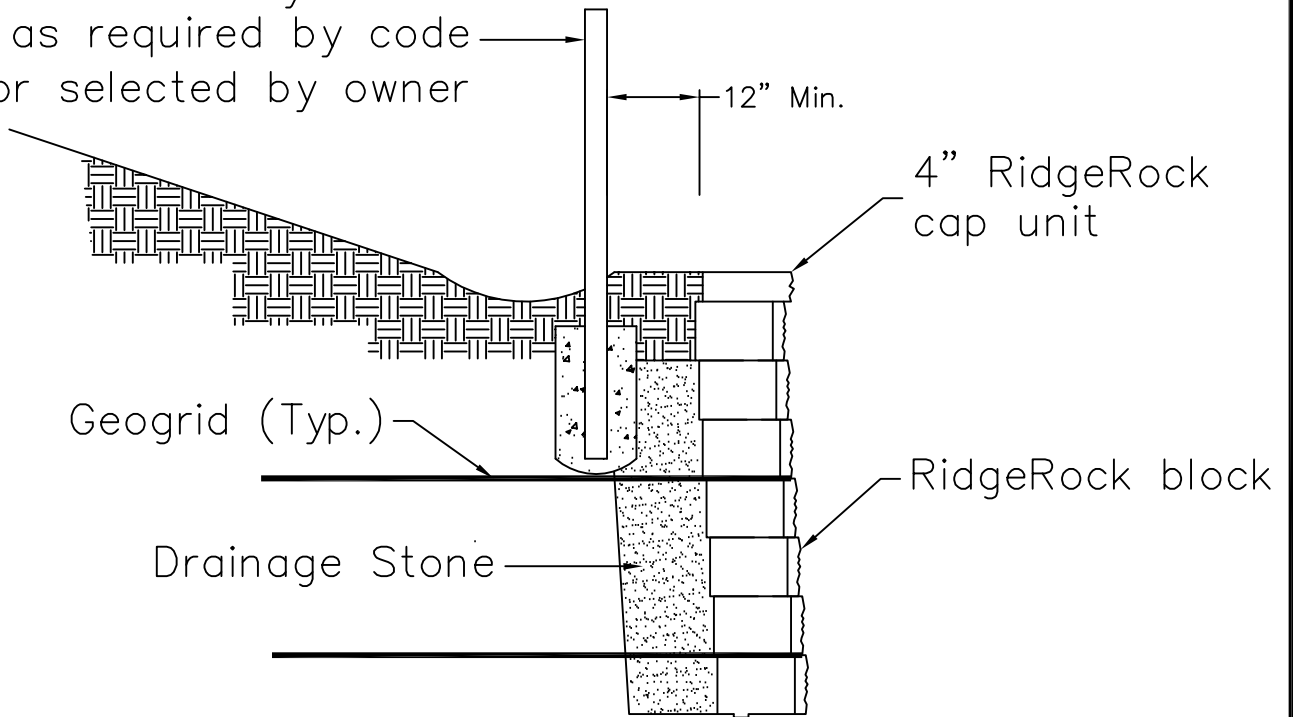


Fence or handrail by others
as required by code
and/or selected by owner



NOTE: Detail is provided for information only. Requirements can vary based on expected loadings and codes. Final wall designer and project civil engineer should verify final design.



RidgeRock
Retaining Walls Inc.
P.O. Box 241233
Charlotte, NC 28224
704-504-3358
Fax: 504-3038

FENCE OR RAIL PLACEMENT DETAIL

RIDGEROCK DETAILS

1 of 1
SHEET NO.

6/2001
DATE